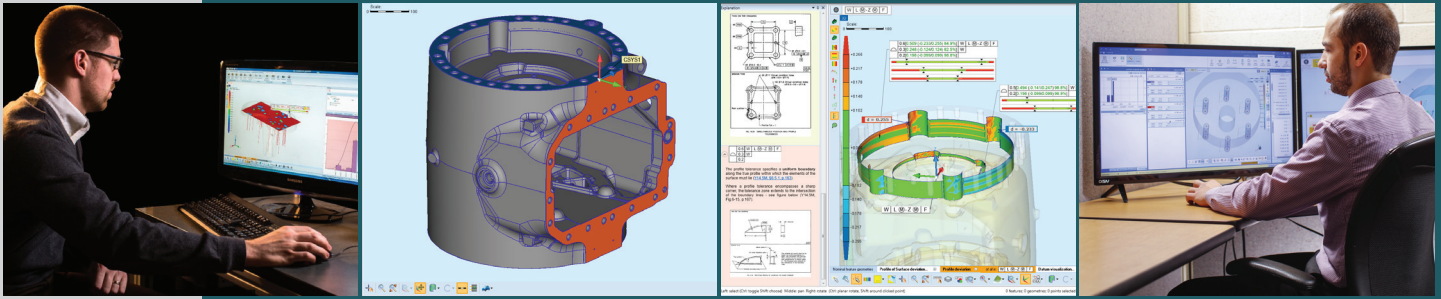




EVOLVE Design | Model-Based Family Of Software

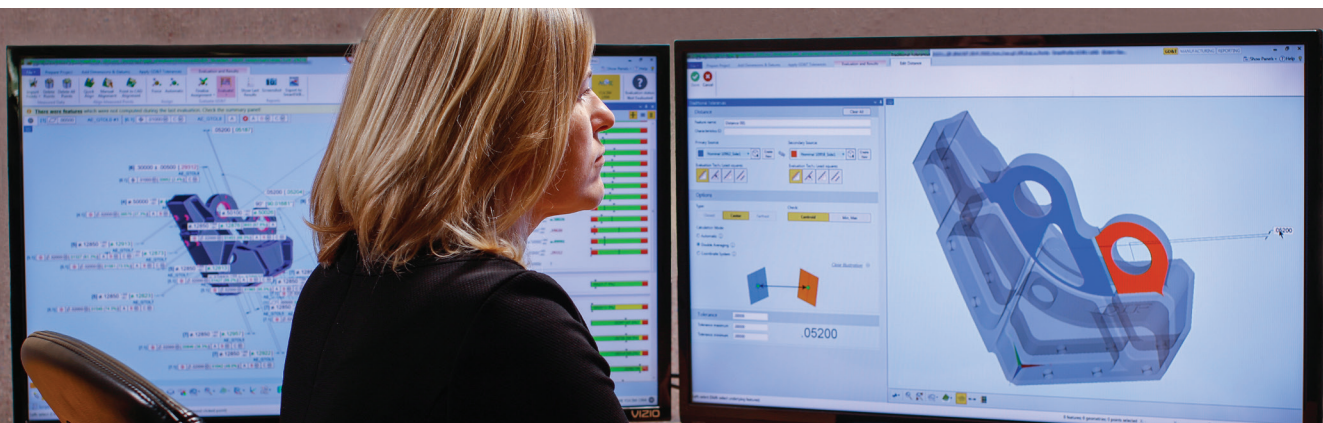
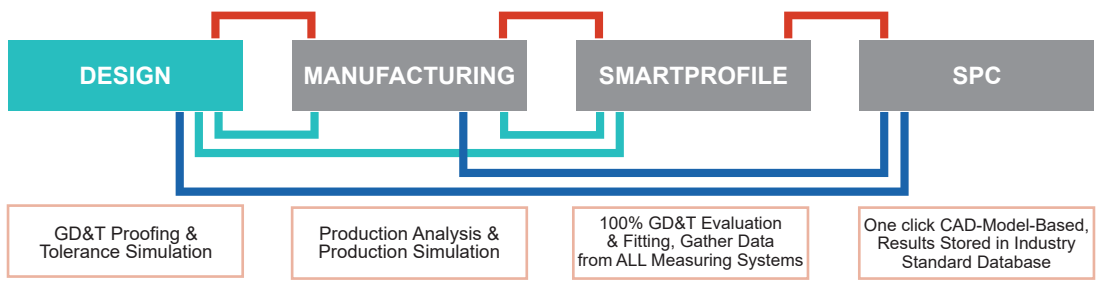


The EVOLVE™ Software Suite

EVOLVE is a model-based family of software that seamlessly connects Design, Production and Inspection Teams across a manufacturing enterprise. It integrates easily with 3D CAD and CAM, incorporating PMI data automatically. EVOLVE optimizes the design process and integrates with production, enabling manufacturers to shorten product design/development time, normalize inspection and measurement techniques, improve process control, and manage product tolerances throughout the manufacturing process.

EVOLVE DESIGN

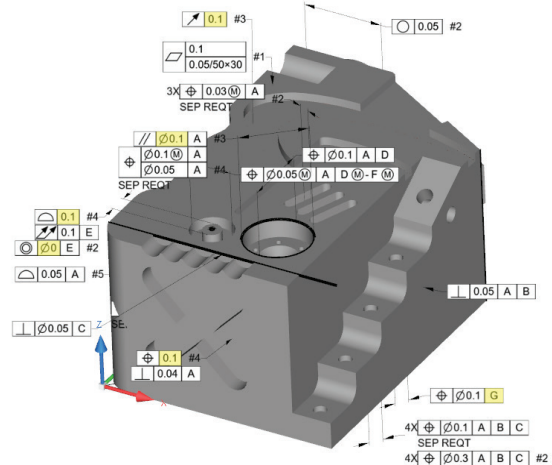
KOTEM has built a family of products to help design engineers with specifying part tolerances to comply with GD&T (GPS) standards. EVOLVE Design bridges the gap in potential tolerance errors from design to production to inspection, helping save time and money. EVOLVE Design provides designers with a GD&T proofing tool, enabling them to find potential tolerancing problems and gain a better understanding of GD&T standards so parts are made cost-effectively from the start of the design process. The EVOLVE suite provides consistent GD&T interpretation and tools for the designer, production and quality inspection.



GD&T Proofing in four easy steps

1 Import CAD

Simply import a CAD file into EVOLVE Design where the file can then be proofed for potential tolerancing errors. Users then can save revised files to various formats such as STEP, IGES, QIF, or EVOLVE project files for SmartProfile processing downstream.

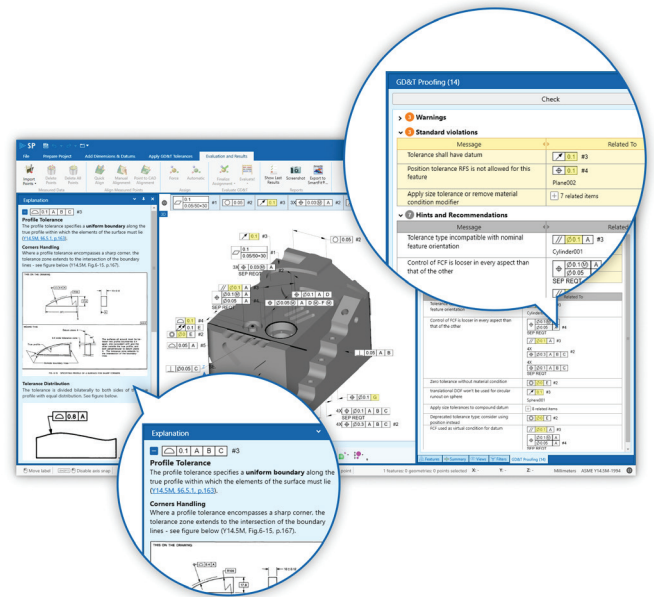


2 Import PMI & Define Standards

Using the EVOLVE Design GD&T engine, users can choose from ASME Y14.5M-1994, AMSE Y14.5-2009 or ISO 1101. This helps users specifically apply various GD&T standards to their CAD model, with or without PMI.

3 Proof GD&T

Powerful GD&T engine processes the CAD file and provides visual notifications of errors and warnings. These errors and warnings are then associated with appropriate details and highlighted on both the textual output and 3D CAD model.



4 Save Results

Once the CAD model proofing has been approved, users can evaluate the new revised model with applied GD&T specifications. The model can then be saved for future reference or a report can be provided for analysis.

To learn more about EVOLVE Design go to www.kotem.com/evolve

